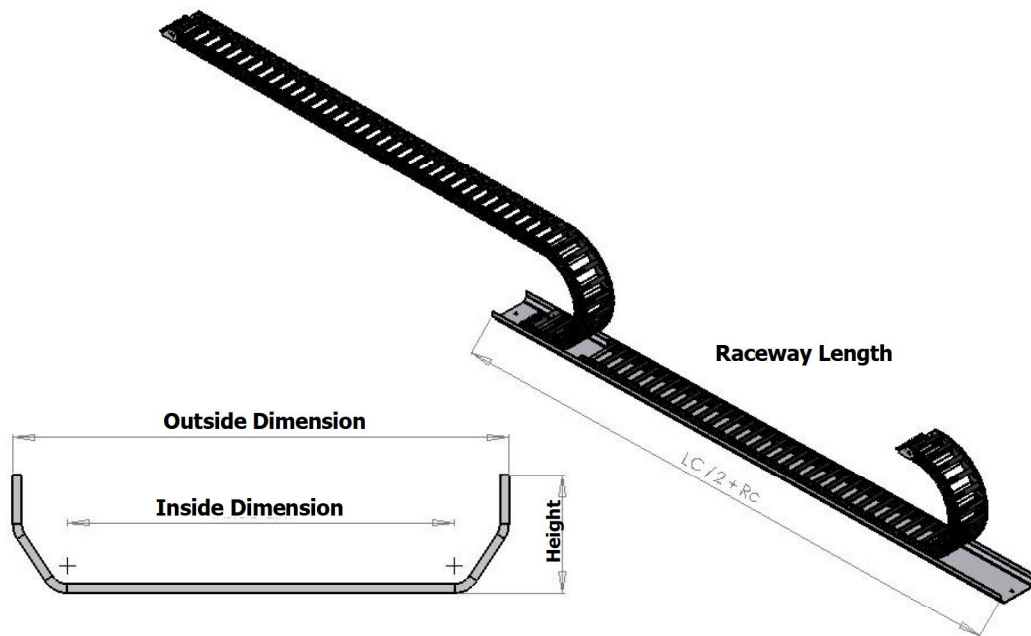


## Accessories

## RACEWAY



Model	Inside (mm)	Outside (mm)	Height (mm)	Thickness (mm)	Material (SS avail. on demand)	Stock Length (mm)
<b>3000 A,B</b>	B+5	B+20	20	1.5	Galvanized Steel or EZ	500 to 3000
<b>3010 A,B,D</b>	B+5	B+20	20	1.5	Galvanized Steel or EZ	500 to 3000
<b>4210 A,B,C,D</b>	B+5	B+20	30	2	Galvanized Steel or EZ	500 to 3000
<b>4230 A,B,C,D</b>	B+5	B+20	30	2	Galvanized Steel or EZ	500 to 3000
<b>4710 A,B,C,D</b>	B+5	B+20	30	2	Galvanized Steel or EZ	500 to 3000
<b>4760 Z,A,B,C</b>	B+5	B+20	30	2	Galvanized Steel or EZ	500 to 3000
<b>6710 B,C</b>	B+8	B+25	50	2.5	Galvanized Steel or EZ	500 to 3000
<b>6830 A,B,C</b>	B+8	B+25	50	2.5	Galvanized Steel or EZ	500 to 3000
<b>7710 A to H</b>	B+8	B+25	50	2.5	Galvanized Steel or EZ	500 to 3000
<b>9110 A,B,C</b>	B+10	B+30	50	2.5	Galvanized Steel or EZ	500 to 3000
<b>9210 A to F</b>	B+10	B+30	50	2.5	Galvanized Steel or EZ	500 to 3000

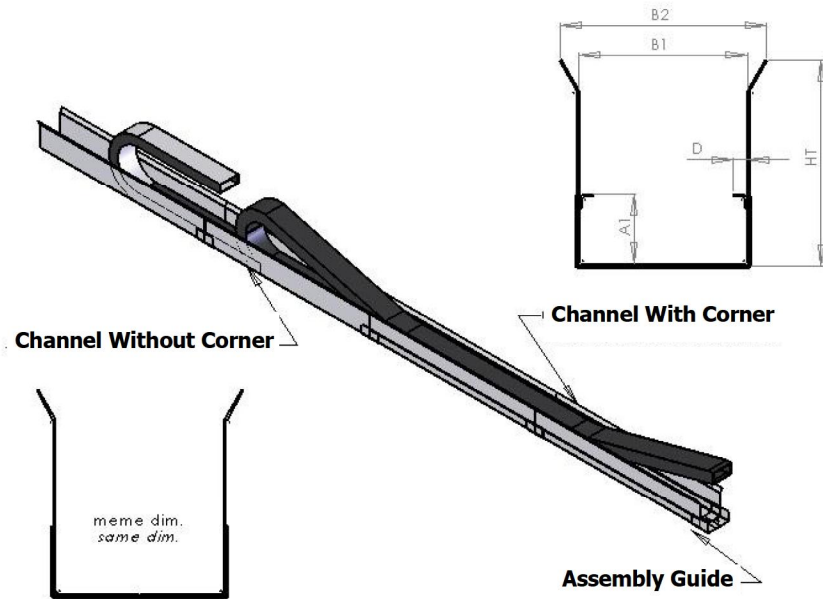
(Where B = Track Outside Dimension)

**Part ID:** G + Model Name; for example, G3010A

These are one-piece units of 500 to 3000 mm length.

**Find 3D drawings at :** <http://www.tracepartsonline.com/ws/decril>





Model	Inside B1(mm)	Outside B2(mm)	Height (mm)	Thickness (mm)	Material (SS avail. on demand)	D (Inside) A1 (Inside) (mm) (mm)	
<b>3000 A,B</b>	B+3	B+15	60	1.5	Galvanized Steel or EZ	5	30
<b>3010 A,B,D</b>	B+3	B+15	60	1.5	Galvanized Steel or EZ	5	30
<b>4210 A,B,C,D</b>	B+5	B+20	100	1.5	Galvanized Steel or EZ	10	38
<b>4230 A,B,C,D</b>	B+5	B+20	100	1.5	Galvanized Steel or EZ	10	40
<b>4710 A,B,C,D</b>	B+6	B+20	100	2	Galvanized Steel or EZ	10	40
<b>4760 Z,A,B,C</b>	B+6	B+20	120	2	Galvanized Steel or EZ	10	40
<b>6710 B,C</b>	B+8	B+25	120	2	Galvanized Steel or EZ	25	65
<b>6830 A,B,C</b>	B+8	B+25	140	2	Galvanized Steel or EZ	25	64
<b>7710 A to H</b>	B+10	B+25	160	2	Galvanized Steel or EZ	25	60
<b>9110 A,B,C</b>	B+10	B+30	200	2	Galvanized Steel or EZ	30	80
<b>9210 A to F</b>	B+15	B+30	200	2.5	Galvanized Steel or EZ	30	85

(Where B = Track Outside Dimension)

**Part ID:** C (Channel without Corner) or CC (Channel with Corner) + Model Name;  
For example, C6830/B or CC7710/E

These are one-piece units of 500 to 3000 mm length.

Find 3D drawings at : <http://www.tracepartsonline.com/ws/decril>

