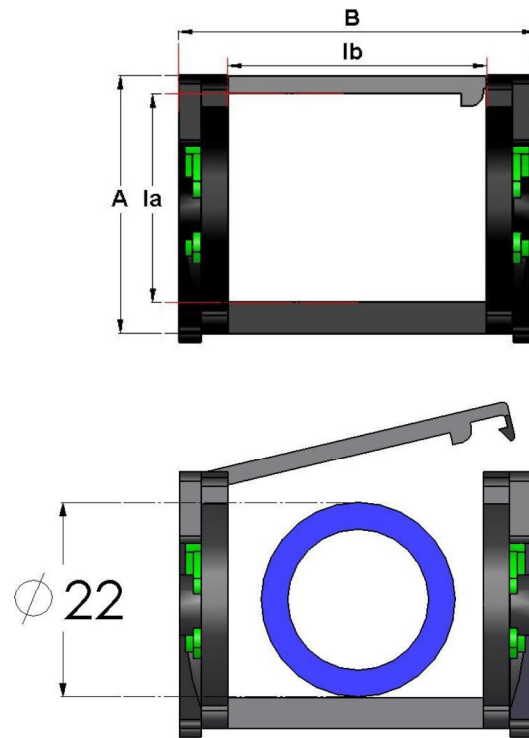
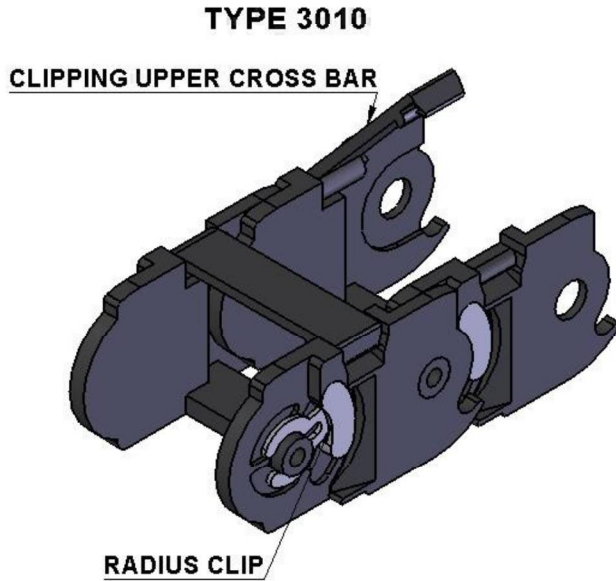


*Light Series*

Model 3010

Polyamide

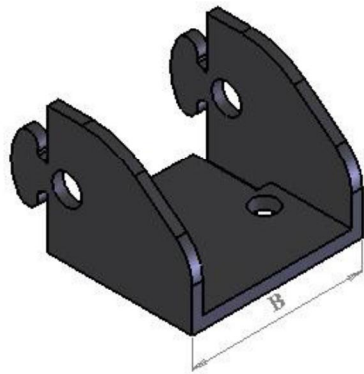


Model	A	B	Ia	Ib (mm)	Part ID				Kg/m
<b>3010/A</b>	30	30	24	20	D691-301	D691-302	D691-303	D691-304	0.31
<b>3010/B</b>	30	40	24	30	D691-351	D691-352	D691-353	D691-354	0.33
<b>3010/D</b>	30	60	24	50	D691-381	D691-382	D691-383	D691-384	0.37
<b>Rd in mm, Pitch = 30 mm</b>					<b>35</b>	<b>55</b>	<b>75</b>	<b>95</b>	
<b>Ht in mm + or -10 %</b>					103	147	191	235	
<b>Radius Clips</b>					None	Blue	Green	Yellow	

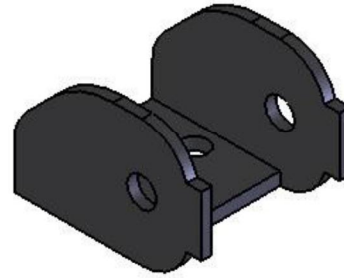


Find 3D drawings at : <http://www.tracepartsonline.com/ws/decril>

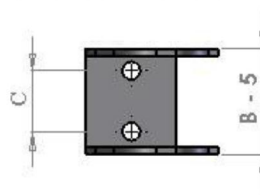
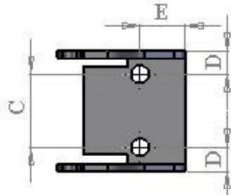




external end connector 3010 B



internal end connector 3010 B



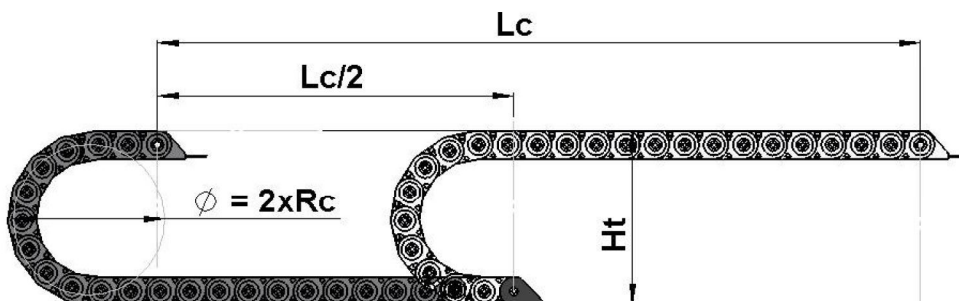
Model	End Connector (Kit) Part ID	E	C	D	Screw	Thickness (mm)	Material
<b>3010 A,B,C*</b>	<b>D691-691</b>	16	B-11.5	-	M5	1.5	Steel
<b>3010/A</b>	<b>E3010/A PL</b>	15	0	Center	M5	3	PA6 15 FV
<b>3010/B</b>	<b>E3010/B PL</b>	15	24	8	M5	3	PA6 15 FV
<b>3010/D</b>	<b>E3010/D PL</b>	15	44	8	M5	3	PA6 15 FV

\* Not shown

**Chain length calculation** from the stroke  $L_c$  (in mm) :

*Please note that to calculate the length, the fixed point has to be in the middle of the stroke*

<b>Rc (chain radius)</b>	<b>35</b>	<b>55</b>	<b>75</b>	<b>95</b>
<b>Ht (Height of the mobile point)</b>	<b>103</b>	<b>147</b>	<b>191</b>	<b>235</b>
<b>Chain length (mm)</b>	<b><math>L_c/2+200</math></b>	<b><math>L_c/2+263</math></b>	<b><math>L_c/2+326</math></b>	<b><math>L_c/2+388</math></b>



Find 3D drawings at : <http://www.tracepartsonline.com/ws/decril>

