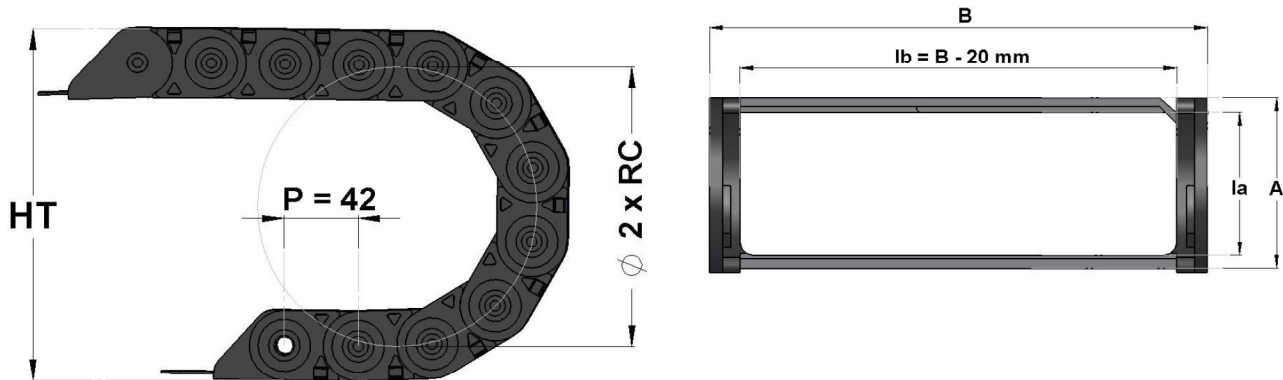
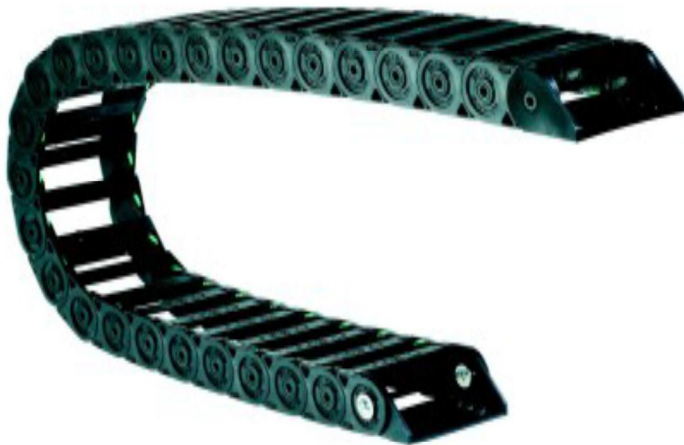


Light Series**Model 4230****Polyamide**

Model	A	B	Ia	Ib (mm)	Part ID			Kg/m
4230/A	40	54	34	40	D011-401	D011-402	D011-403	0.6
4230/B	40	74	34	60	D011-451	D011-452	D011-453	0.65
4230/C	40	94	34	80	D011-471	D011-472	D011-473	0.67
4230/D	40	114	34	100	D011-481	D011-482	D011-483	0.68
Rc in mm	Pitch = 42 mm				55	105	155	
Ht in mm + or -10 %					176	276	376	
Radius Clips					Blue	Green	Yellow	



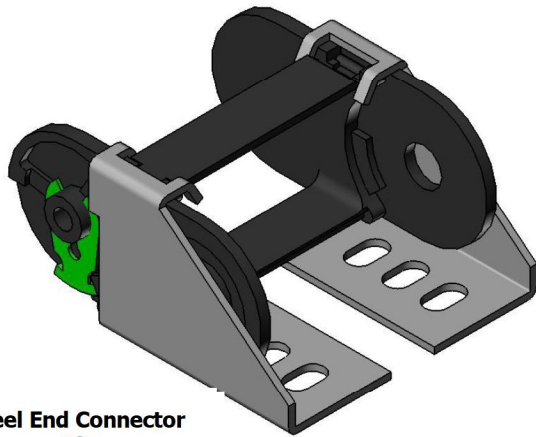
Model 4230 is light in weight, rapid, and is suitable for all types of applications for travel lengths up to 6 meters.

Since the inside height is 34 mm, it can accept 30mm diameter cables.

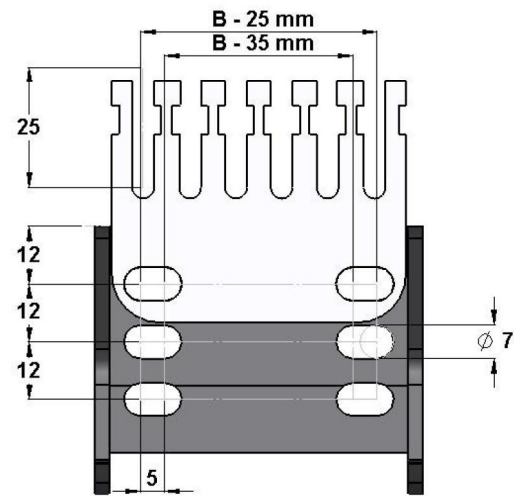
Steel combs can be used to fix cables at both sides of the chain. A divider can separate and guide the cables. The use of cable tie-down combs and dividers helps to increase the life of the cables.

Find 3D drawings at : <http://www.tracepartsonline.com/ws/decril>





Steel End Connector Kit

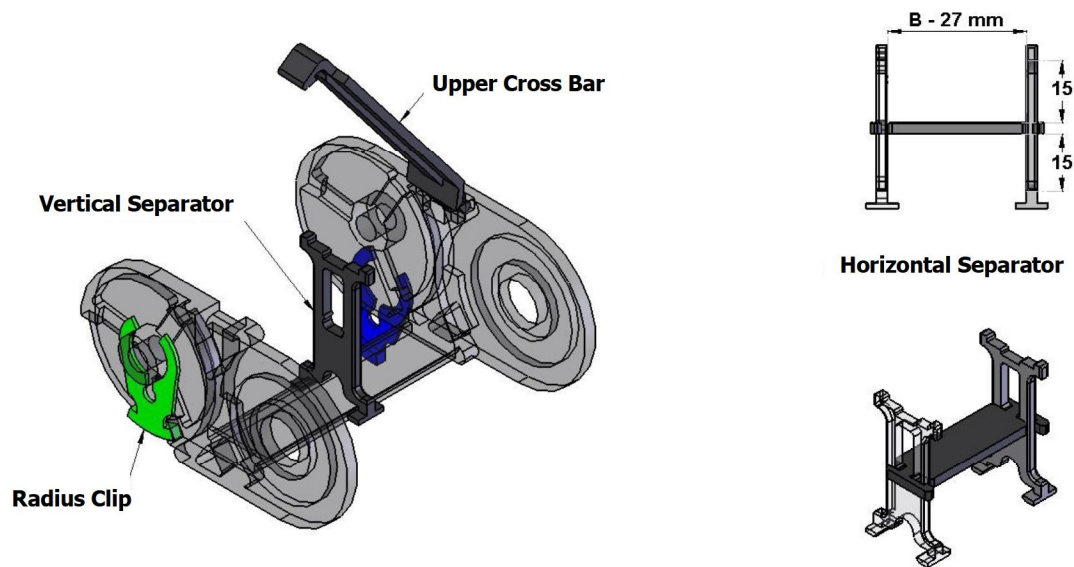


Model	End Connector (Kit) Part ID	B - 25 (mm)	B - 35 (mm)	Thickness (mm)	Material
4230A,B,C,D	D014-391	-	-	2	Steel
4230/A*	D010-491	29	19	3	PA6 15 FV
4230/B*	D015-491	49	39	3	PA6 15 FV
4230/C*	D017-491	69	59	3	PA6 15 FV
4230/D*	D018-491	89	79	3	PA6 15 FV

* Not shown

Model	Comb (1 pc.)	B - 25 (mm)	B - 35 (mm)	No. of Teeth	Thickness (mm)	Material
4230/A	P010-491	29	19	5	1.5	Steel
4230/B	P015-491	49	39	7	1.5	Steel
4230/C	P017-491	69	59	9	1.5	Steel
4230/D	P018-491	89	79	11	1.5	Steel

Find 3D drawings at : <http://www.tracepartsonline.com/ws/decril>

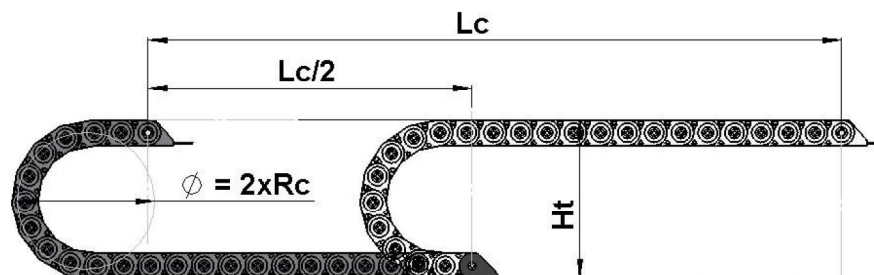
Light Series**Model 4230****Polyamide**

Model	Vertical Separator Part ID	Horizontal Separator Part ID	B - 28 (mm)	Thickness (mm)	Material
4230/A	D010-495	D010-405	26	2.5	PA6 15 FV
4230/B	D010-495	D010-455	46	2.5	PA6 15 FV
4230/C	D010-495	D010-475	66	2.5	PA6 15 FV
4230/D	D010-495	D010-485	86	2.5	PA6 15 FV

Chain length calculation from the stroke L_c (in mm) :

Please note that to calculate the length, the fixed point has to be in the middle of the stroke.

Rc (chain radius)	55	105	155
Ht (Height of the mobile point)	176	276	376
Chain length (mm)	$L_c/2 + 298$	$L_c/2 + 456$	$L_c/2 + 613$



Find 3D drawings at : <http://www.tracepartsonline.com/ws/decril>

